

SOLAR TANK PUMP STATION

MOBILE REFUELLING UNIT on a TRAILER
ARMY APPLICATION with CAMO DESIGN

What is Solar Tank Pump Station?

- Solar Tank Pump Station is designed for non-stop fuel refuelling in sahara.
- Our Station is able to generate its own electricity by solar panels on the roof.
- This unit is also able to work with Car Battery (12V) or manuel pump.



Usage Areas

- Deserts
- Jungles
- Battlefields
- Mountain Areas
- Border Areas
- Coastal Areas
- ...



Specs

- *- Skid chassis
- *- 5360 It capacity with Double Wall Storage Tank and Tanks Accessories (Capacity can be increased or decreased depending needs)
- *- Submersible pump / Or Suctional pump
- *- Dispenser with 1 product, 1 nozzle
- *- 12V Fuel Pump with Meter
- *- Manuel Pump with Meter



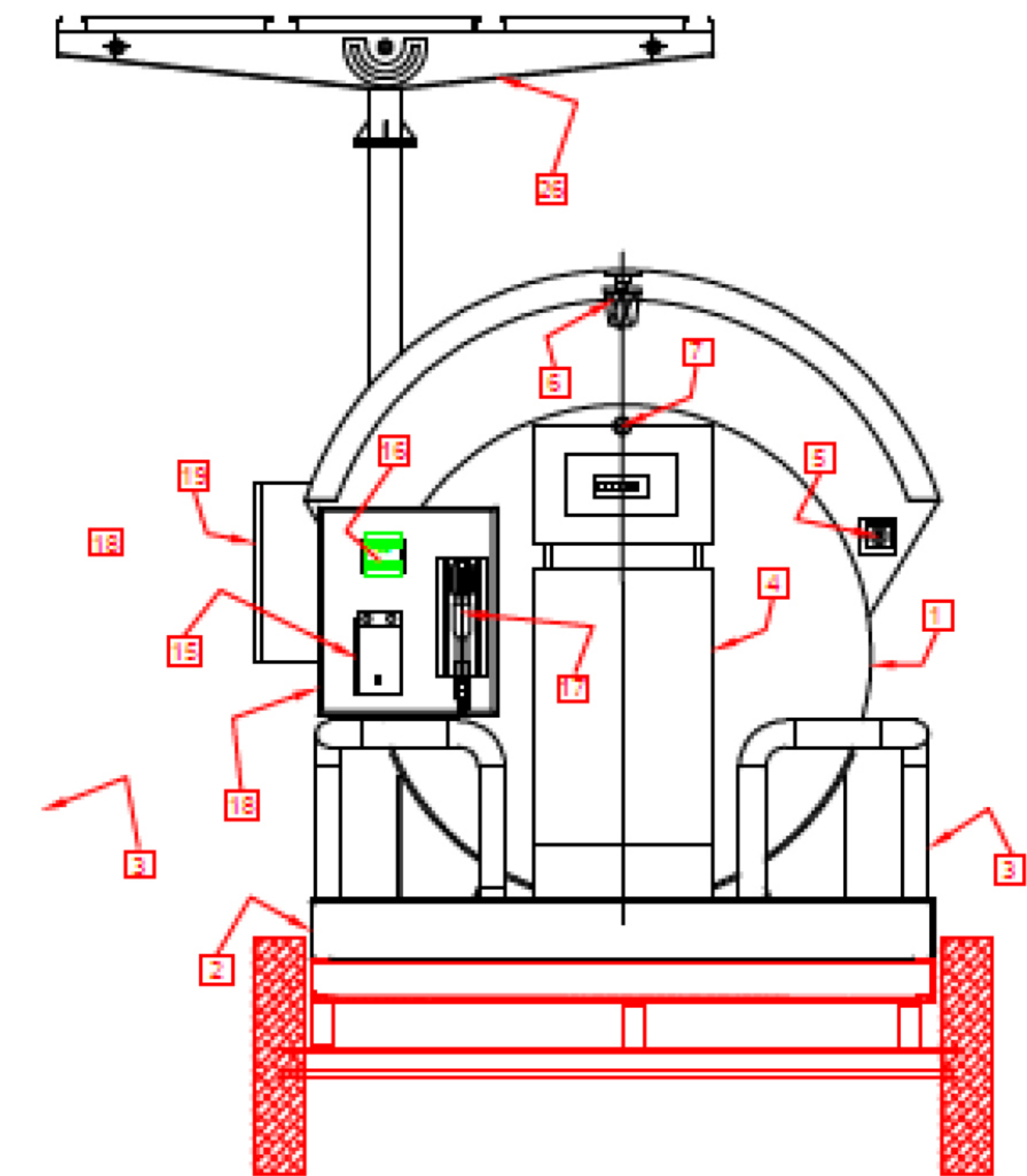
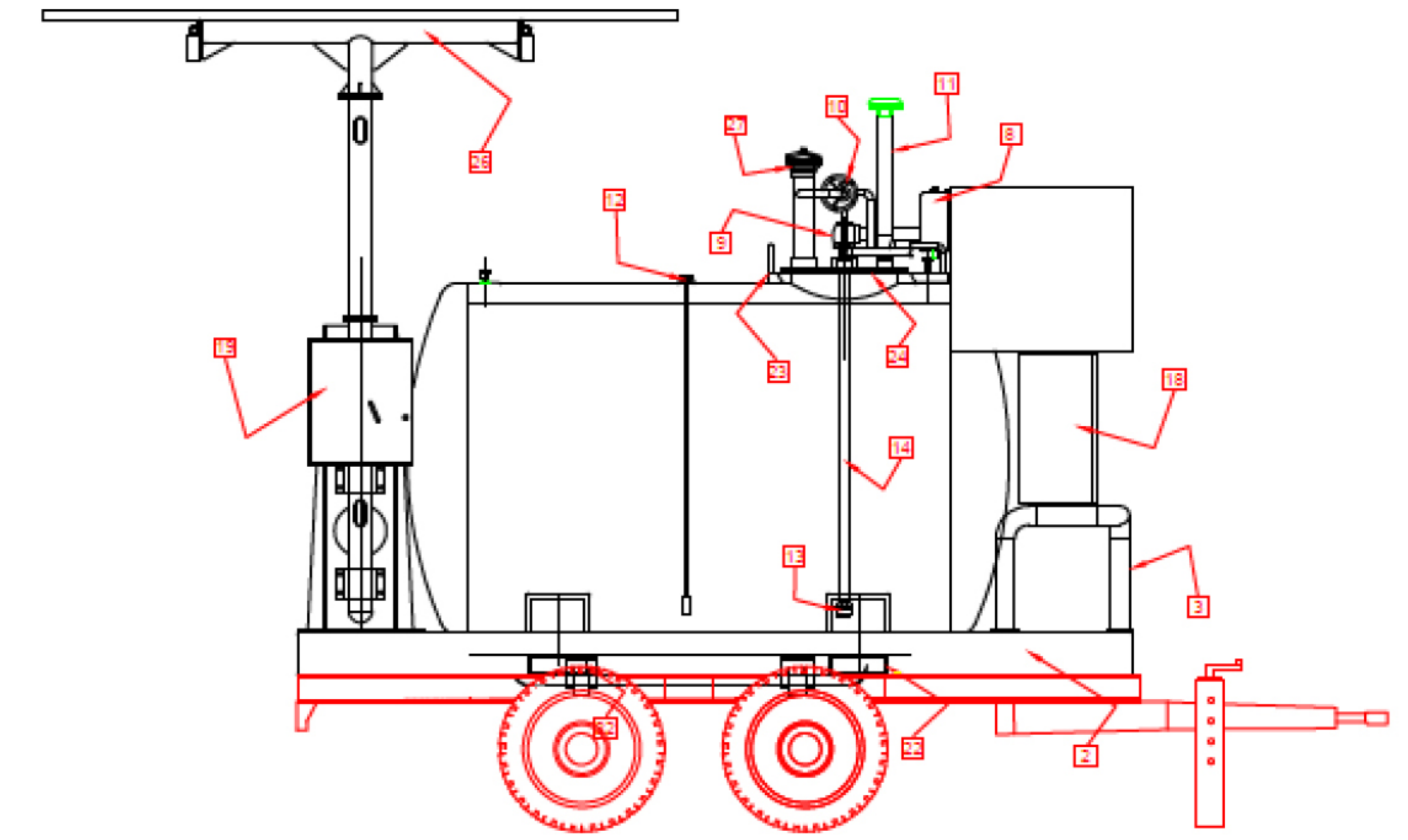
Specs

- *- Solar Systems with 6 Solar Panels, 6 Batteries, Regulator and Invertor
- *- Electrical Equipment Steel Construction
- *- Exproof Lighting
- *- Exproof Emergency Button
- *- Electrical Panel



Trailer Specs

- *-**Trailer Chasis:**Platform length depends on tank capacity. Chasis material will be NPU 120 sectioned ST37.
- *-**Axle and Suspension:** 12+6 Scissors, Two Axle (4 tonnes x 2 Capacity), Fixed Front Mechanic Lifting Arm
- *-**Wheels:** 10.0 x 80.5 x 16 Dublex Tires
- *-**Brake System:** Hydraulic Brake System
- *-**Lighting System:** Rear Stops and Left/Right Blinker Electrical Wiring Installed



Certifications and Standarts

- **Fuel Tank**

Double Walled

5 mm Inner Wall

3 mm Outer Wall

S235JR – EN 10025-2 Carbon Steel

Manufacturing Standart: EN 12285

- **Dispenser**

ATEX Certified

MID Certified

CE Certified

Certifications and Standards

- **Whole System**

- ATEX Inspection Report
- Ex-Proof Lighting
- Ex-Proof Cabling
- Ex-Proof Emergency Button

- **Solar Panels**

- PID-TUV Certified
- CE Certified

- **Piping**

- Galvanized Steel Pipes – EN 10255

- **Electrical Box**

- IP-65

Advantages

- Easy and Quick Installation
- No Electricity Need
- Location Independent Refueling
- Mobility
- Variety of Size for Different Needs
- High Security Standarts